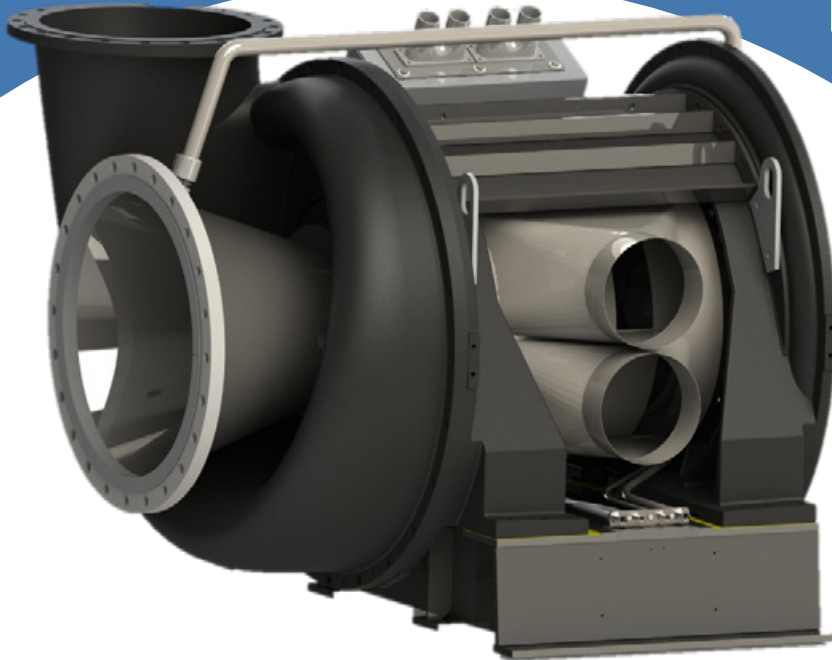


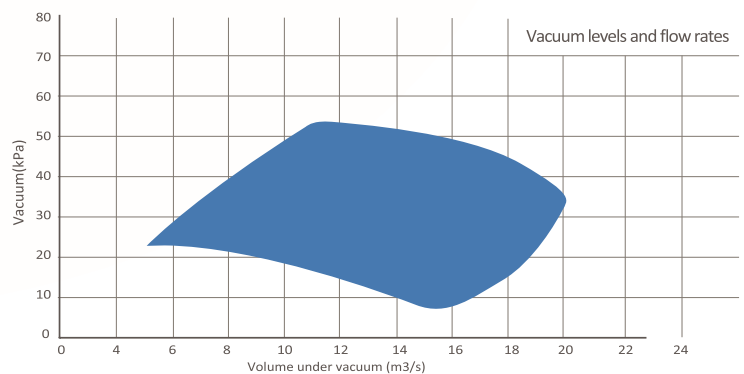
# Ecopump Turbo EP1000



## Save electricity and water in your vacuum system

Ecopump Turbo, the first-ever variable speed and variable capacity turbo blower, saves 30–70% in energy compared with traditional vacuum systems.

Ecopump Turbo is a totally water-free solution with significant heat recovery potential. Its compact design also reduces installation costs.

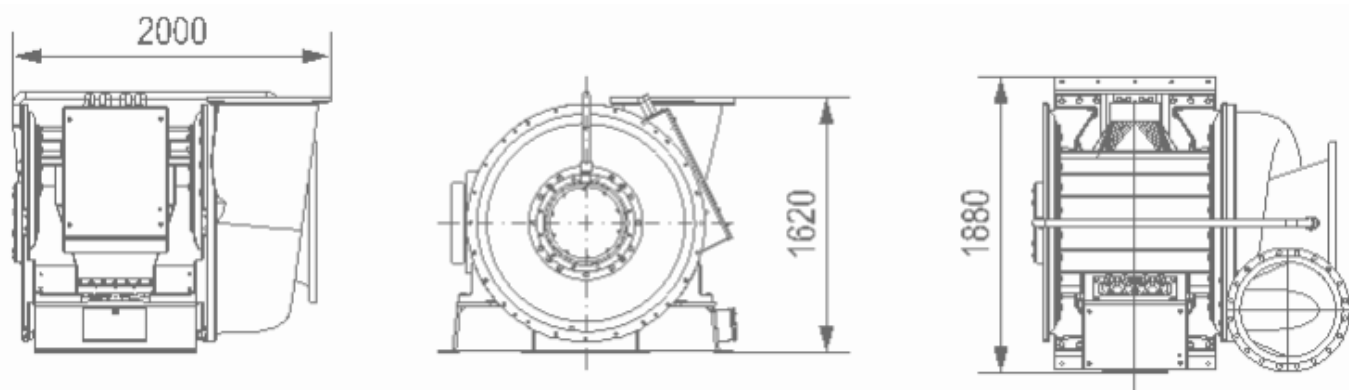


FEATURES	ADVANTAGES
Single-stage turbo	<ul style="list-style-type: none"> <li>- Variable speed and capacity turbo blower saves energy</li> <li>- Wide air capacity range eliminates bleed valves</li> <li>- Automatic speed control adapts to changes in machine speed, basis weight and felt age</li> <li>- Water-free system</li> <li>- Exhaust air temperature up to 160 °C</li> </ul>
Compact size	<ul style="list-style-type: none"> <li>- Easy to install. No gearbox. Impeller is mounted directly on the motor shaft</li> </ul>
Integrated 1 MW high-speed drive	<ul style="list-style-type: none"> <li>- Robust solid rotor design with ball bearings</li> <li>- Speed up to 11,500 rpm</li> </ul>

	EP1000-55-D1
Vacuum, min/max	-20 kPa – -55 kPa (6 inHg – 16 inHg)
Air flow range	6.0 – 20.0 m <sup>3</sup> /s
Weight [kg]	5,500 kg
Static load [kN]	55,0
Dynamic load [kN]	110,0
Size [L x H x W]	2000 x 1620 x 1880 mm
Inlet / outlet size	DN 800 / 600 PN10
Power [kW]	1000 kW
Voltage [V]	690
Blower body	Coated mild steel
Peller	Titanium / composite
Bearing	Ceramic ball
Motor cooling air (EU5 filter)	1,2 m <sup>3</sup> /s at 30 °C, 3 kPa

## Technical specifications

Ecopump EP1000-55-D1 Turbo is a single-stage speed-controlled blower designed for large paper machines and both greenfield and retrofit installations. The closed 3D impeller design gives top efficiency together with good controllability.



## Technical drawings

The compact design makes retrofit installations easy. The EP Turbo unit includes an integrated high-speed drive, which eliminates the need for a gearbox or coupling. Units can be installed directly on top of the concrete water separator, basement or machine level.