

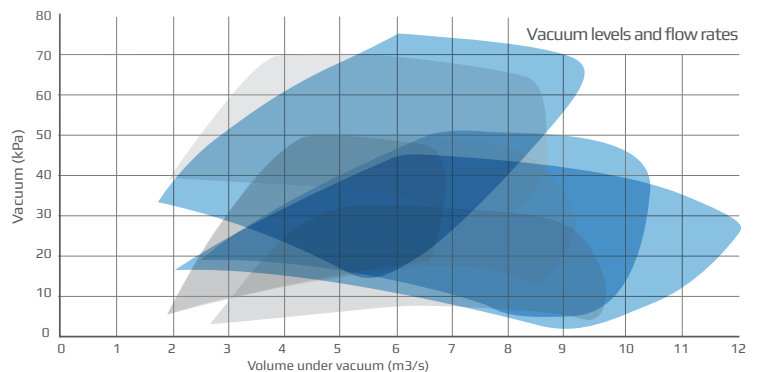
RunEco Turbo EP600



Save electricity and water in your vacuum system

Ecopump Turbo, the first-ever variable speed and variable capacity turbo blower, saves 30–70% in energy compared with traditional vacuum systems.

Ecopump Turbo is a totally water-free solution with significant heat recovery potential. Its compact design also reduces installation costs.

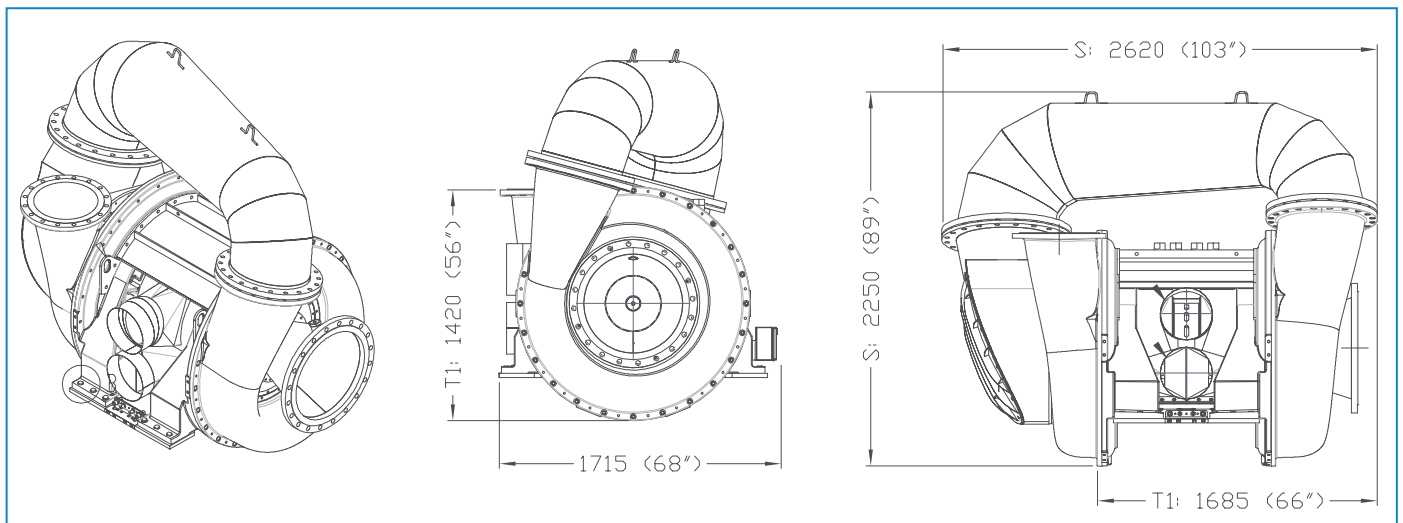


FEATURES	ADVANTAGES
Two-stage turbo	<ul style="list-style-type: none"> - Variable speed and capacity turbo blower saves energy - Wide air capacity range eliminates bleed valves - Automatic speed control adapts to changes in machine speed, basis weight and felt age - Water-free system - Exhaust air temperature up to 190 °C (370 °F)
Compact size	<ul style="list-style-type: none"> - Easy to install. No gearbox. Impellers are mounted directly on the motor shaft
Integrated 600 kW high-speed drive	<ul style="list-style-type: none"> - Robust solid rotor design with ball bearings - Speed up to 9,600 rpm

	EP600-S2	EP600-S1	EP600-HF
Vacuum, min/max	-25 – -70 kPa (7 inHg – 21 inHg)	-20 kPa – -65 kPa (6 inHg – 19 inHg)	-10 kPa – -60 kPa (3 inHg – 17.5 inHg)
Air flow range	3.0 – 8.5 m ³ /s (6,000 –18,000 cfm)	2.0 – 8.0 m ³ /s (4,000 –17,000 cfm)	1.5 – 10.0 m ³ /s (3,000 –21,000 cfm)
Weight [kg/lb]	5,000 kg / 11,000 lb	5,000 kg / 11,000 lb	5,000 kg / 11,000 lb
Static load [kN]	47.6	47.6	47.6
Dynamic load [kN]	95.2	95.2	95.2
Size [L x H x W]	2620 x 2250 x 1715 mm (103 x 89 x 68 in)	2620 x 2250 x 1715 mm (103 x 89 x 68 in)	2620 x 2250 x 1715 mm (103 x 89 x 68 in)
Inlet / outlet size	DN 600 / 400 PN10 (24" / 16")		
Power [kW]	600kW / 800hp		
Voltage [V]	400 / 690		
Blower body	Coated mild steel		
Impeller	Titanium		
Bearing	Ceramic ball		
Motor cooling air (EU5 filter)	1.2 m ³ /s at 30 °C, 3.5 kPa (2500 cfm at 90 °F, 0.5 psi)		

Technical specifications

Ecopump EP600 series Turbos are two-stage speed-controlled blowers designed for large paper machines and both greenfield and retrofit installations. The closed 3D impeller design gives top efficiency together with good controllability.



Technical drawings

The compact design makes retrofit installations easy. The EP Turbo unit includes an integrated high-speed drive, which eliminates the need for a gearbox or coupling. Units can be installed directly on top of the concrete water separator, basement or machine level.